

SLIDING DOOR SYSTEM: INSTALLATION INSTRUCTIONS

TOP TRACK POSITIONING S34 / S42

Version 1 (Up to date: June 2010)

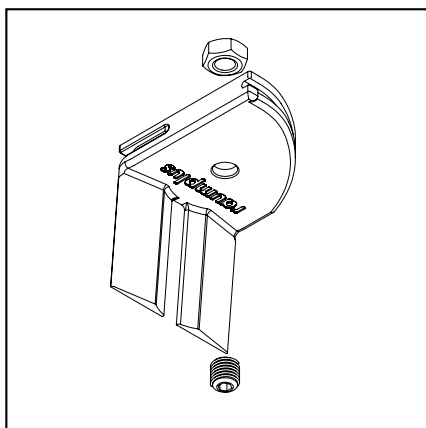


subject to technical changes

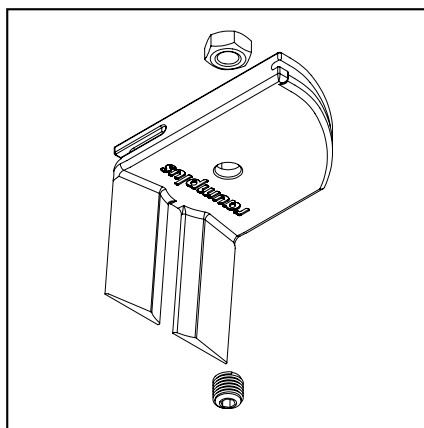
raumplus

ACCESSORIES AND TOOLS

ACCESSORIES:

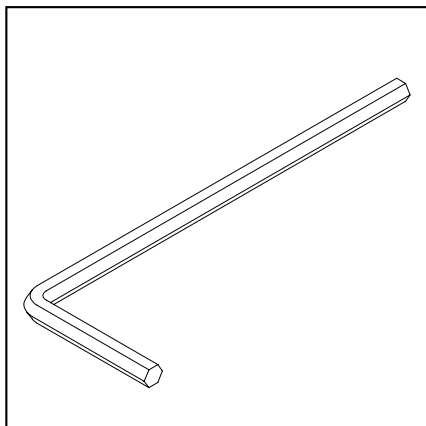


1_ top track positioning S34
(item-no.: 10.01.026)

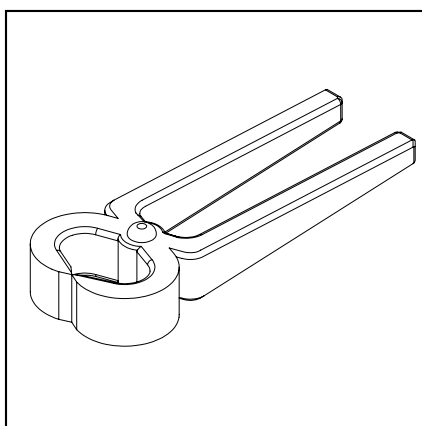


2_ top track positioning S42
(item-no.: 10.01.027)

TOOLS:



1_ allen key 2,5mm

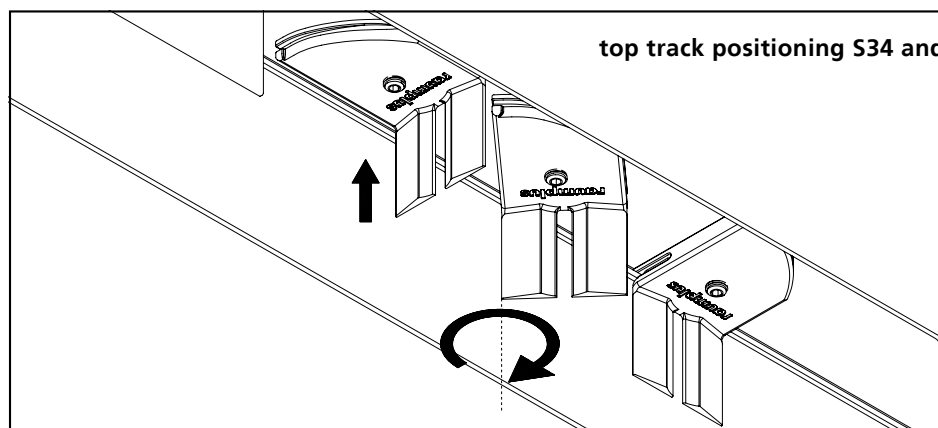


2_ carpenters pincers

top track positioning S34 and S42 for 40 mm and 60 mm top track

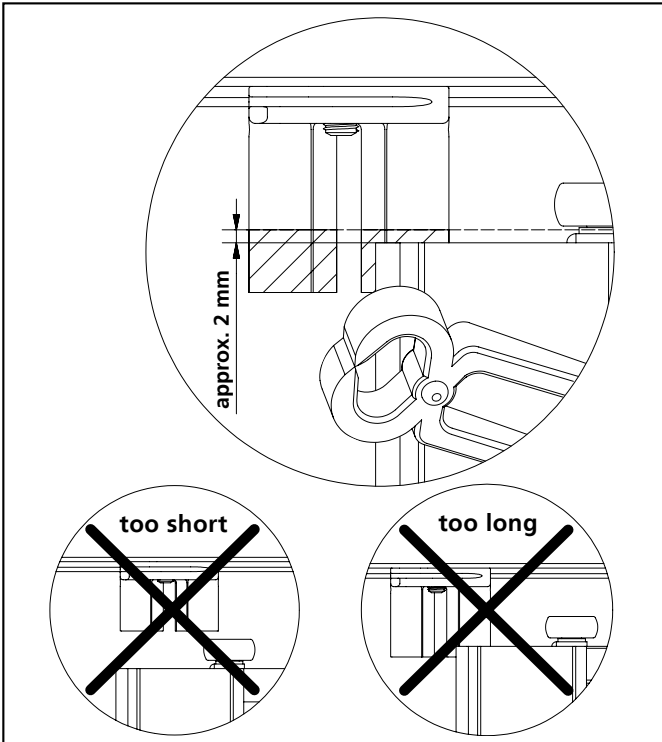


Please pay attention
to the following steps.

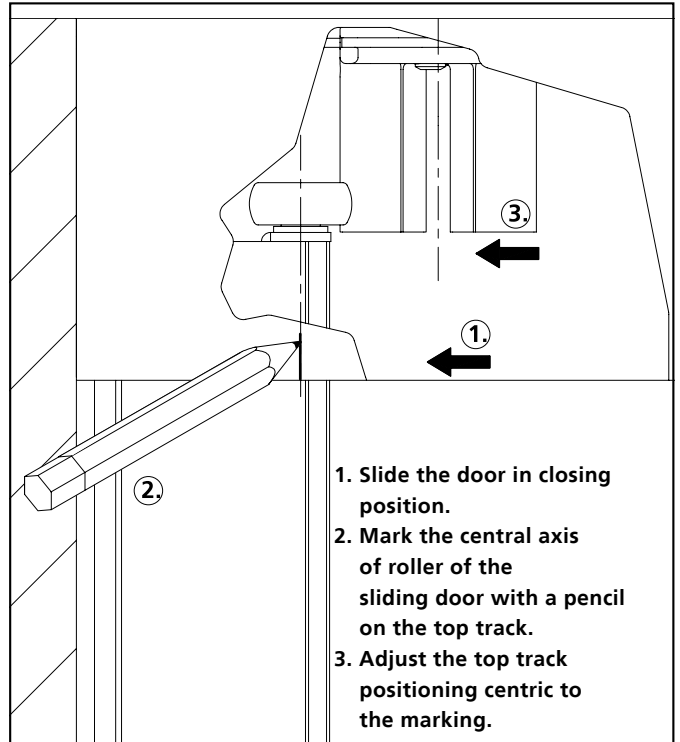


1_ put the top track positioning into the top track and turn it in

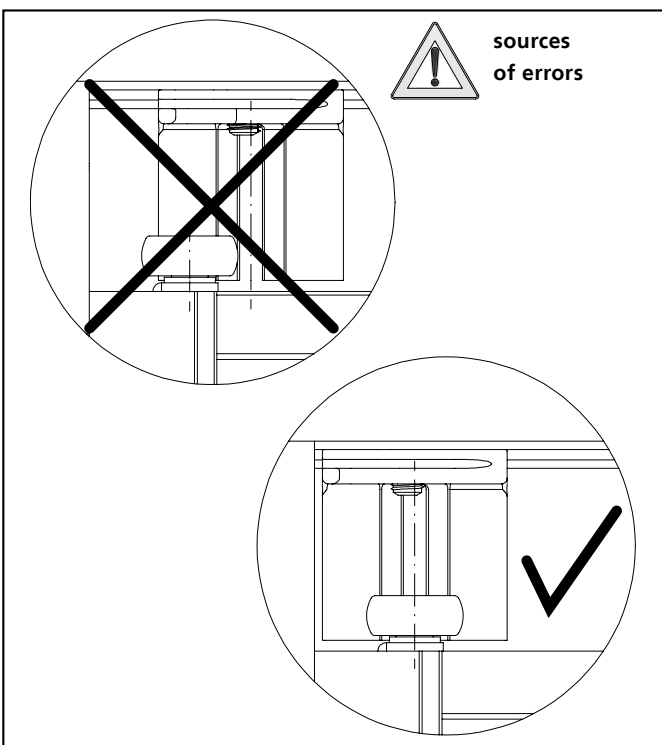
INSTALLATION INSTRUCTIONS



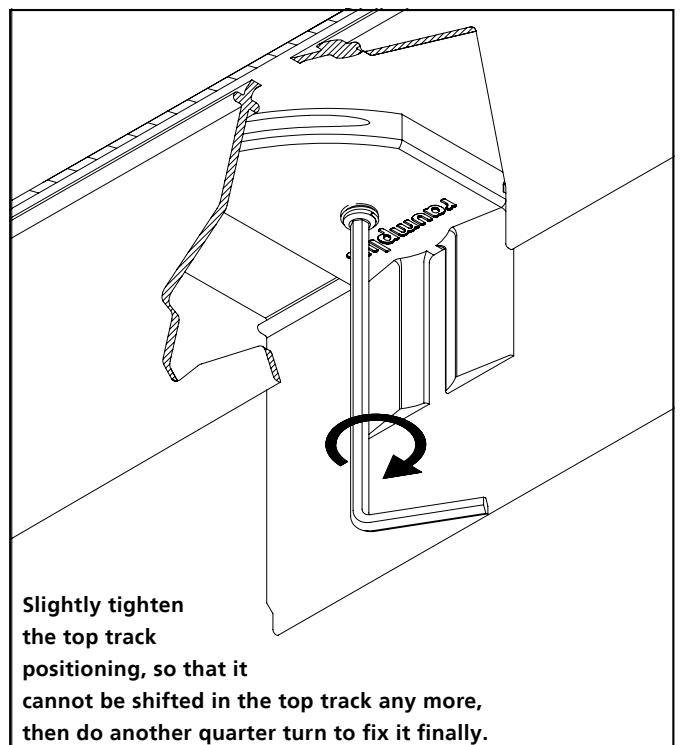
2_ top track positioning, has to be shortened



3_ central axis to mark

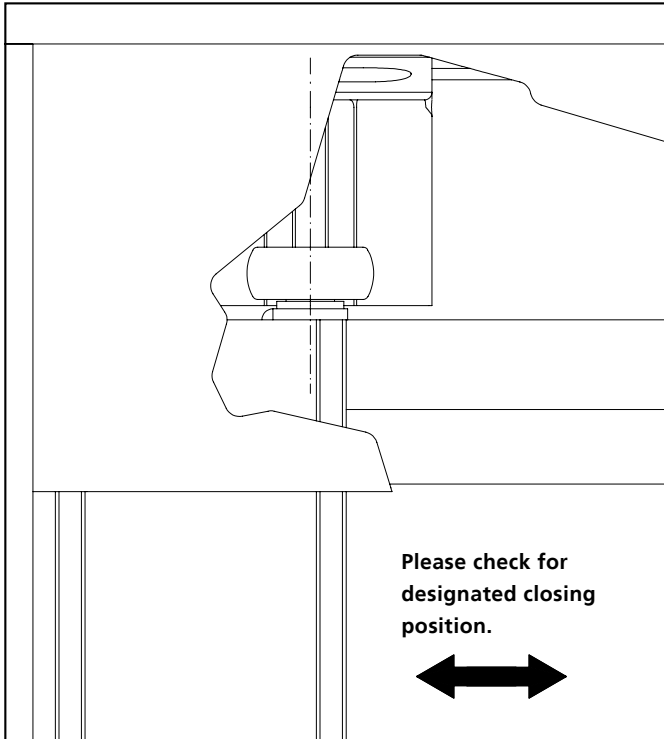


4_ controlling the position

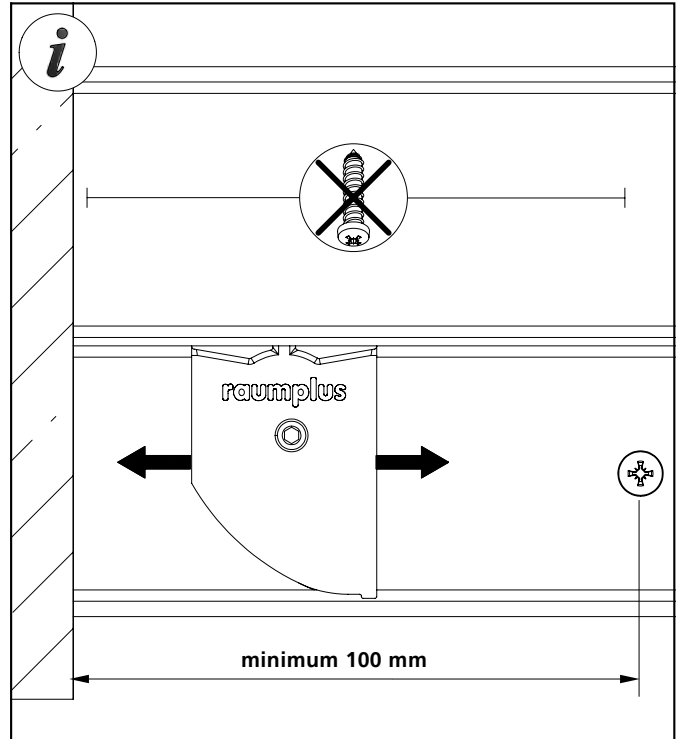


5_ top track positioning fixed

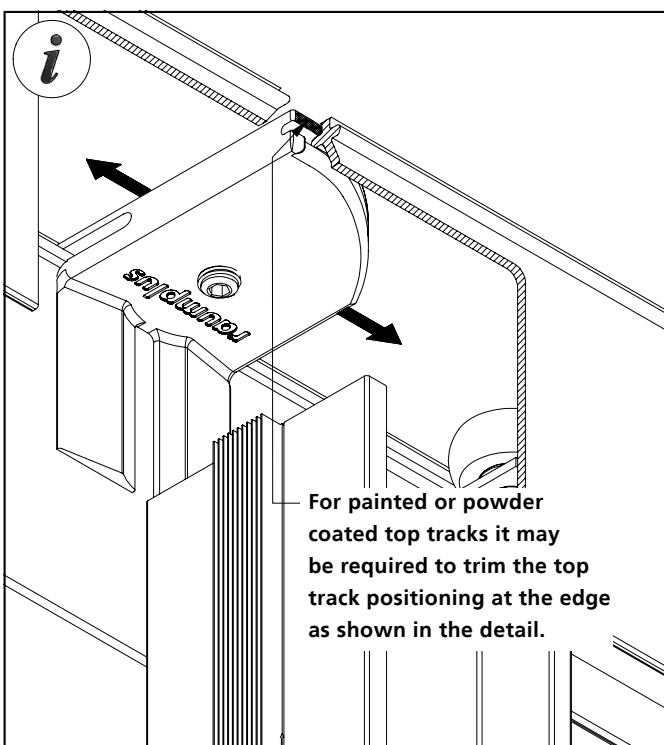
INSTALLATION INSTRUCTIONS



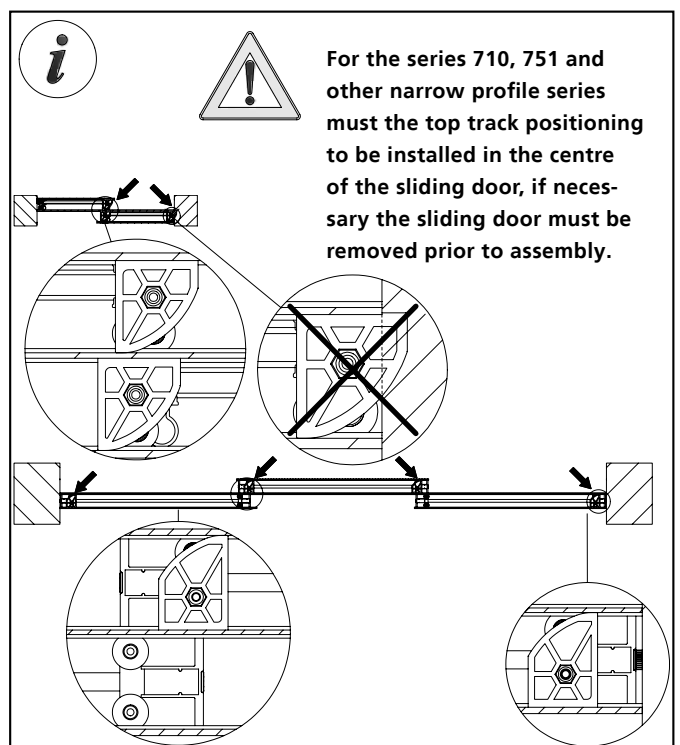
6_ function test



7_ no screw in the assembly sector



8_ trim top track positioning if necessary



9_ positioning examples for the top track positioning